



Product description

The compact construction form of the effeff 332.238 escape door strike allows rapid, uncomplicated mounting in a wide variety of profiles and door frames

Overview of Advantages

- radius keeper
- Small symmetrical construction shape
- Min. 2000 N, max. 3000 N holding force in accordance with prEN 13637
- Unlocking under pre-load with 100% holding force
- Monitoring contact is potential-free and armature contact is non-isolated *
- DL/DR and horizontal universal installation position
- Compact fitting dimensions
- Adjustable FaFix® latch: 2 mm adjustment range with 0.5 mm increments
- Compatible with ProFix® 2 strike plates
- Monitoring contact integrated in the housing
- Monitoring flap moves together with the FaFix® screw-on attachment, i.e. the switching point always remains the same

Scope of delivery

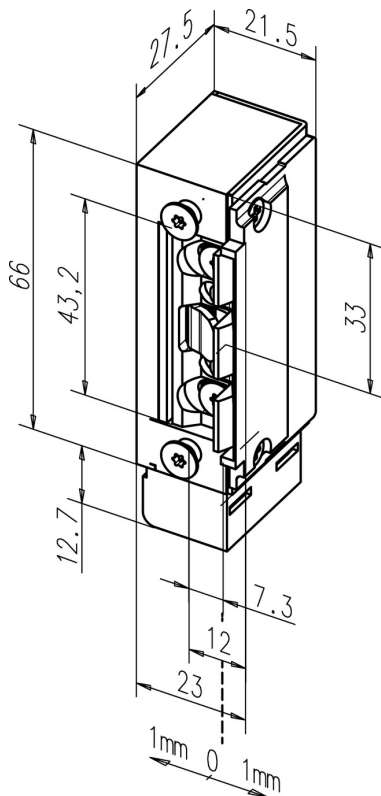
- 1 piece escape door strike

Note

- Can only be used as a supplementary locking device on fire doors
- * Coupling Relay 7480 is required for parallel operation.
- Armature contact not potential-free. Operation with effeff control terminals without coupling relay possible.

Technical data

| | |
|---|-------------------------|
| DIN-direction | Universal |
| | 12 V DC |
| Adjustable keeper (FF, FaFix®) | Yes |
| Monitoring contact (RR) | Yes |
| Diode (05) | Yes |
| Fail-unlocked | Yes |
| Armature contact (AK/RR) | Yes |
| Rated operating voltage tolerance range | ± 10% |
| Rated resistance | 63 Ohm |
| Switching capacity - monitoring contact | 24 V/ 1 A |
| Current consumption DC (stabilised) | 180 mA |
| Break-in resistance | 3000 N |
| Height | 78.7 mm |
| Width | 21.5 mm |
| Latch bolt engaging depth | 6 mm |
| FaFix® adjustment range | 2 mm |
| Max. pre-load | 3000 N |
| Operating temperature range | -15 °C to +40 °C |
| Continuous function load cycles | 200000 |
| Load cycles for in-plant test | 500000 |
| Installation position | Vertical and horizontal |
| Depth | 27.5 mm |



Accessories/Individual parts

| | |
|---------------|---|
| Order number | Product |
| 807-10-----00 | Model 807-10 Adjustable; 110 x 24 mm |
| 807-11-----00 | Model 807-11 Adjustable; 135 x 20 mm |
| 807-12-----00 | Model 807-12 Adjustable; 110 x 24 mm; radius forend |
| 807-13-----00 | Mortise latch bolt lock model 807 radius Adjustable; 110 x 20 mm; radius strike plate |
| 7480-----E00 | Coupling Relay Model 7480 12 V for escape door 332® |

| | |
|----------------|-----------------|
| Article number | 332.238-----E91 |
| EAN | 4042203322981 |